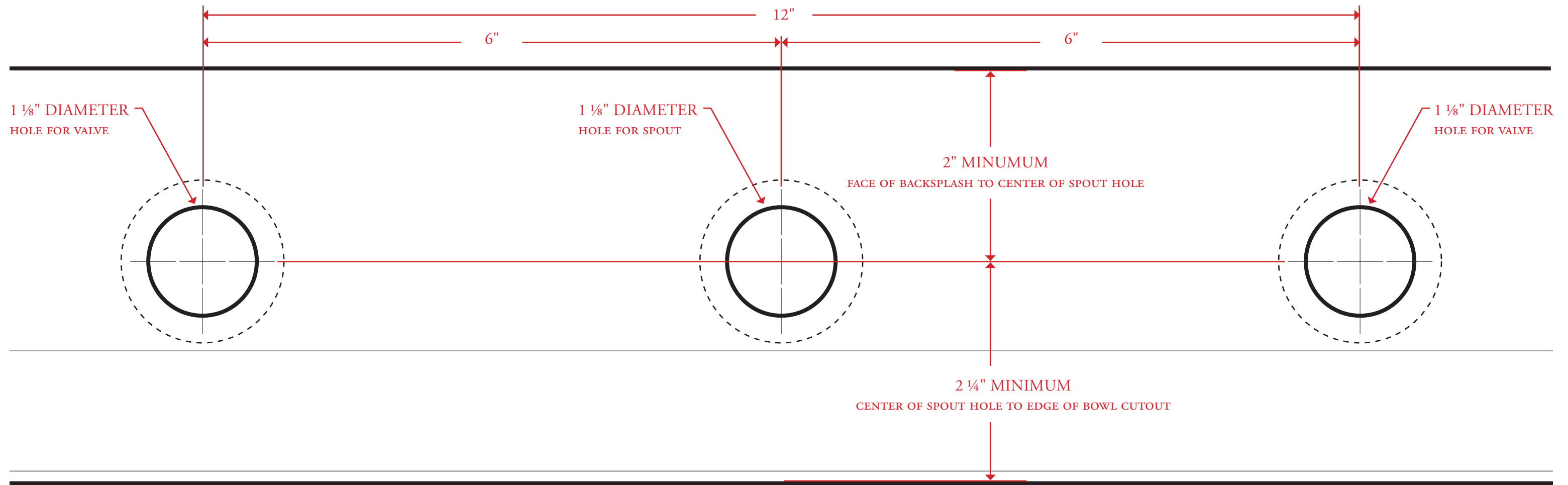


COUNTER DRILLING RECOMMENDATION FOR DECK-MOUNT WIDESPREAD BASIN SETS

In-line for use with Rectangular Sinks



Rectangular porcelain sink with 1 1/4" undermount lip shown as example. Recommendation is for most stock basin sets; drilling for made-to-order basin sets should be confirmed individually. N° 14000 Ritz Basin Set requires 2 1/2" minimum distance from center of spout hole to edge of bowl cutout. Dashed circles indicate mounting nuts; if adjusting position ensure there is 1 3/4" clearance around drilled holes for mounting hardware. Drawing shown at scale on tabloid.